

ELEVATE 40W LED Transparent Panel, IP20, 300x1200mm, 4000k, Non-Dimmable

The Elevate architectural feature linear pendant luminaire is a highly decorative suspended lighting panel which is not only attractive, but functionally provides a high quality light output to illuminate the area from the central LED array, complimented by the transparent LED wings, providing around 70% of the light downwards, and 30% upwards



Applications:

- Business and Hotel reception areas
- Meeting rooms
- Restaurants
- Schools
- Retail shops
- Offices

Construction:

Anodised extruded aluminium luminaire body
 White powder coated pressed steel driver enclosure
 Polycarbonate main body diffuser
 PMMA transparent side optics
 PR4/aluminium composite PCB

Features and Benefits:

- The ceiling mounted linear enclosure neatly houses the driver, the incoming terminal block and facilitates suspension mounting height adjustment up to 1200mm which is ideal for high ceiling installations
 - The clear plastic suspension wires very neatly house the LV power supply conductors between the driver and main body below
 - The suspended light emitting plane brings the light source closer to the task area for a uniform illumination
 - It has a low profile anodised extruded aluminium body which looks attractive and also makes it light for mounting
 - Made of PMMA for rigidity, lightness and non-yellowing, the side mounted transparent optic plates provide a contemporary and architecturally inspiring aesthetic
 - There are two sets of LED's within the main body:
 - The central LED array, which has an opal Polycarbonate diffuser to reduce glare, emits downward light for direct illumination of the task area
 - The side mounted LED's emit light laterally through the laser-etched Light Control Guides of the optic plates providing indirect, glare-free side and upward illumination
 - This aids compliance of CIBSE lighting guidelines by ensuring correct percentages of light illuminate the ceiling and walls as well as the task area
 - Bridgelux, with Corporate HQ in California USA provide the highest quality LED chips which are tested to IES LM80 and TM21 to demonstrate:
 - High lumen performance
 - Low power consumption
 - Long life
 - Consistent colour temperature
 - LED's of 4,000K colour temperature are used which provide a neutral white light, ideal for the working environment
 - The latest technology driver components are used to ensure optimum, stable LED drive current for long life
 - Driver and LED's are compatible with PIR sensors, Microwave detectors and Photocells to provide additional energy savings when lighting is not required
 - The Customised Conversions department offer integral emergency and dimmable driver options for:
 - Functional dimming using a retractive switch, ideal for meeting rooms
 - Automatic dimming utilising 3rd party DALI or Analogue sensors for energy saving through Daylight Harvesting
 - Installation is fast and simple using the mounting bar with supplied fixings for the ceiling mounted driver enclosure
- An incoming terminal block is supplied which consists of three large screw terminals for loop in/out including earth for continuity

PLEASE NOTE: INFORMATION IN THIS DOCUMENT MAY BE SUBJECT TO CHANGE WITHOUT PRIOR NOTICE

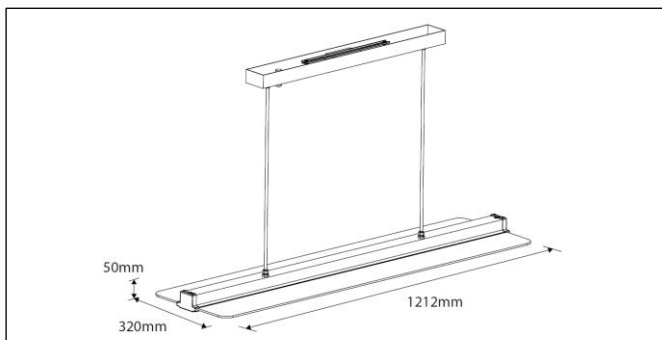
IRE: TEL: +353 1 709 9000 WEB: WWW.ROBUS.COM
 AUS: TEL: +61 7 3890 5444 WEB: WWW.ROBUS.COM.AU

COMMERCIAL

ROBUS®

ELEVATE 40W LED Transparent Panel, IP20, 300x1200mm, 4000k, Non-Dimmable

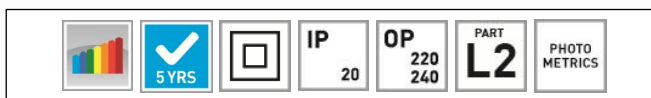
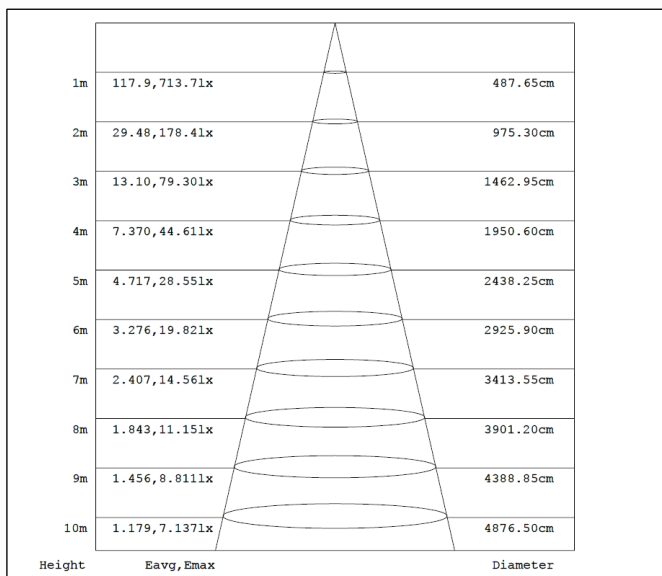
Product Code:	REV40403012T-01
Comparable to:	2x36W T8
Total Power (W):	37.2
Total Light Output (lm):	3,700
Efficacy (lm / cctW):	100
Illuminance at 1m (lux):	710
Beam Angle (deg):	140
CCT (K):	4,000
CRI (Ra):	80
Rated Life (hrs):	50,000
Warranty (yrs):	5
Ingress Protection (IP):	20
Operating Temperature (°C):	-20 ≤ Ta ≤ +40
Driver Output Current CC (mA):	950
Driver Output Voltage @ CC (VDC):	35
Operating Voltage (Vac):	220-240
Power Factor (PF):	0.98
Height (mm):	50
Length (mm):	1212
Width (mm):	320
Box Qty:	1
Weight (kg):	4.46



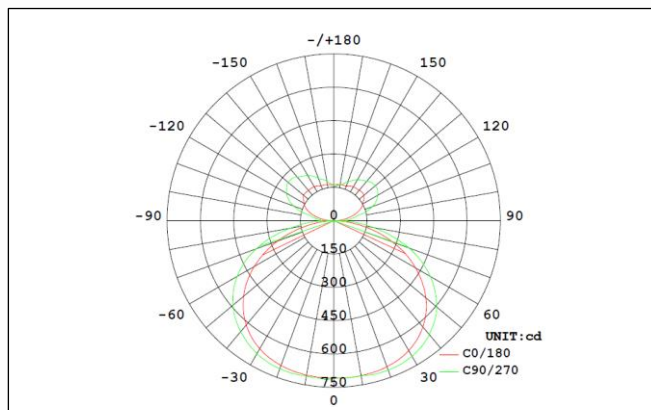
Standards & Approvals:

Complies with: EN 60598-2-1, EN 60598-2-2, EN 55015, EN 61000-3-2, EN 61000-3-3, EN 61547, EN 62471, EN 62493

Cone Illuminance Diagram:



Polar Intensity Diagram:



PLEASE NOTE: INFORMATION IN THIS DOCUMENT MAY BE SUBJECT TO CHANGE WITHOUT PRIOR NOTICE

IRE: TEL: +353 1 709 9000
 AUS: TEL: +61 7 3890 5444

WEB: WWW.ROBUS.COM
 WEB: WWW.ROBUS.COM.AU

LED GROUP EUROPE · AUSTRALIA · ASIA · MIDDLE EAST · AFRICA